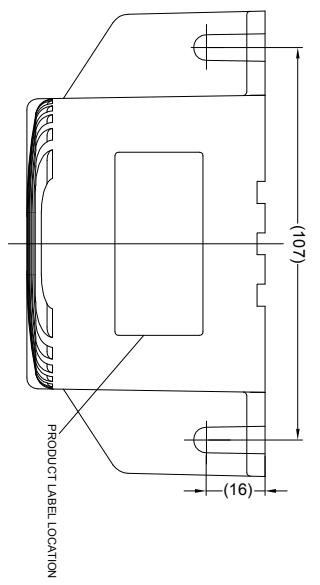
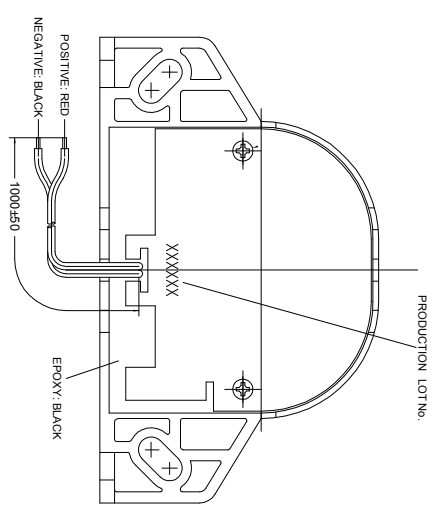
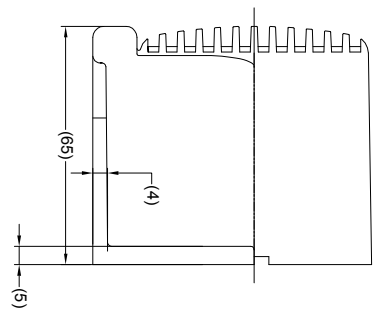
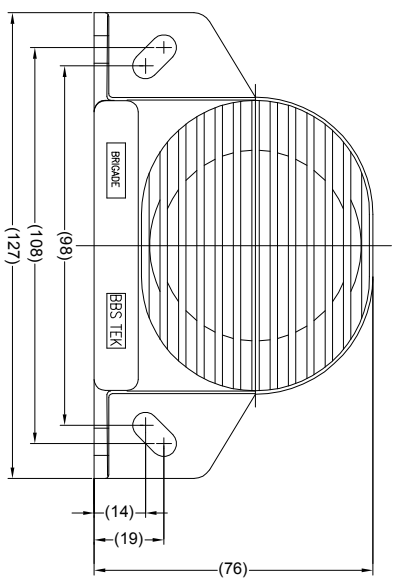


Revision Notes	R1 - NOTES UPDATED TO INCLUDE LABEL DETAILS, STANDARDS UPDATED AS PER ECR CR-A274.
APR: KILDA	Checked/M/Butler
Drawn/BATES	Approved/G/Smith
	Date: 28/08/14



- SPECIFICATION:
- 1) RATED VOLTAGE: 12-24 VOLTS DIRECT CURRENT (WORKING VOLTAGE RANGE 10-32 VOLTS)
  - 2) RATED CURRENT: 0.3 AMPERES OR LESS
  - 3) SOUND PRESSURE: 92±4 DECIBELS AT TEST VOLTAGES OF 14-28 VOLTS.
  - 4) INTERMITTENCE: CONTINUATION
  - 5) TONE: WHITE SOUND
  - 6) CONFORMS TO: SAE J994

- NOTES:
1. FOR PRODUCT LABEL REFER TO LATEST REVISION OF DRAWING BE-002833-XX-14.
  2. FOR GIFTBOX LABEL REFER TO LATEST REVISION OF DRAWING BE-002834-XX-14.
  3. "R" TRIANGLE INDICATES CHANGES MADE TO REVISION OF DRAWING AS IDENTIFIED IN REVISION NOTES.



PROPRIETARY NOTICE  
 THIS DESIGN AND TECHNICAL INFORMATION APPEARING ON THIS DRAWING IS THE PROPERTY OF BRIGADE ELECTRONICS, AND IS DISCLOSED IN CONFIDENCE. IT IS NOT TO BE COPIED, REPRODUCED, REVEALED TO OR EXPLOITED BY OTHERS, EITHER IN WHOLE OR IN PART WITHOUT THE EXPRESS WRITTEN CONSENT OF BRIGADE ELECTRONICS.

**BRIGADE**  
 www.brigade-electronics.com

 Third Angle	Assembly Pt Approval -	Approved by DKERAL	Checked by DKERAL	Drawn by DKERAL
	Angle of Projection	Units mm	Scale N/A	Released 25/07/06
	Status RELEASED	Assembly Ref CT-BBS-92		
	Part No #1392	BE-000391-01-06		

